

Chapter 2 Solutions

True or False

1. When drawn correctly, it is not necessary to erase construction lines.

TRUE

2. When sketching a straight line, it is important to keep your eye on the pencil as it moves.

FALSE

Multiple Choice

3. The most popular lead grade is:

a. 2H

b. H

c. F

d. HB

e. B

4. Which line type is drawn more thickly than the others?

a. Construction

b. Continuous

c. Hidden

d. Center

5. Trammels can be used for which of the following purposes:

a. Circle construction

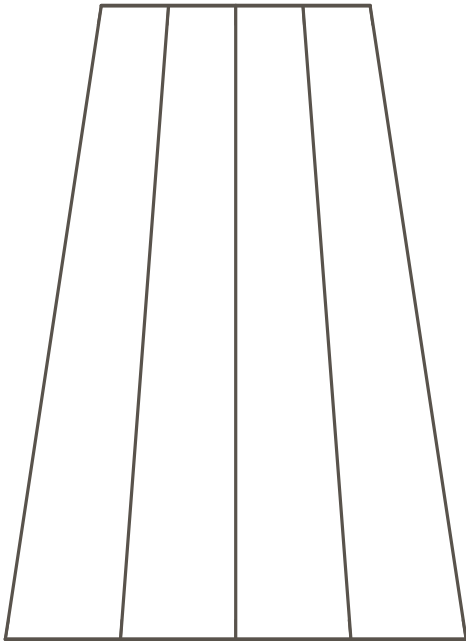
b. Proportioning the features in a sketch

c. Transferring dimensions

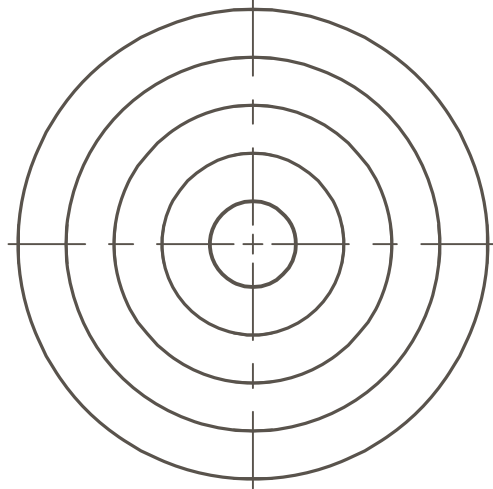
d. All of the above

e. None of the above

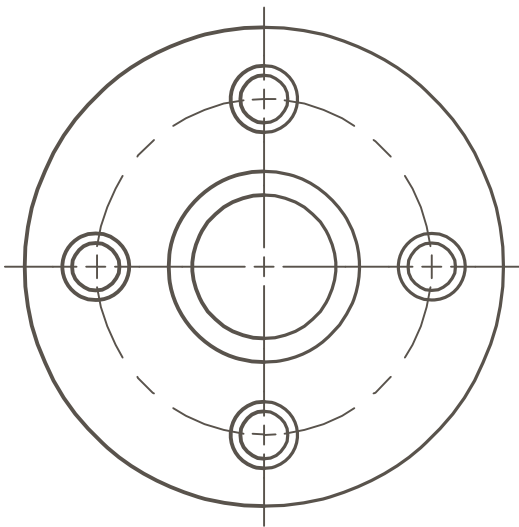
Ⓐ Using the cues provided, sketch straight lines.



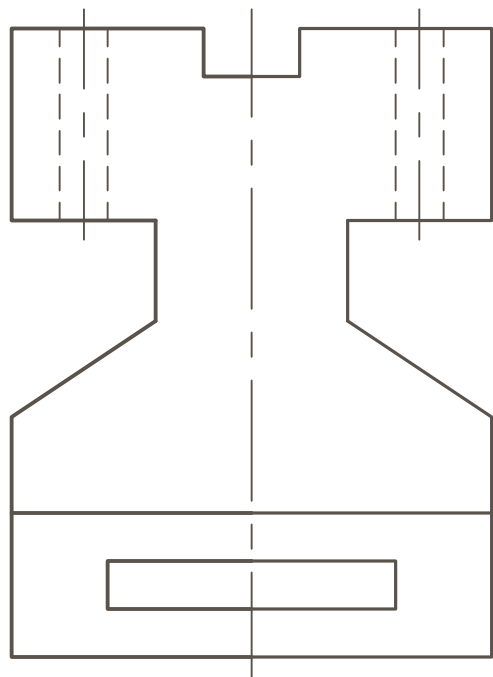
Ⓑ Using the cues provided, sketch the nested shapes.



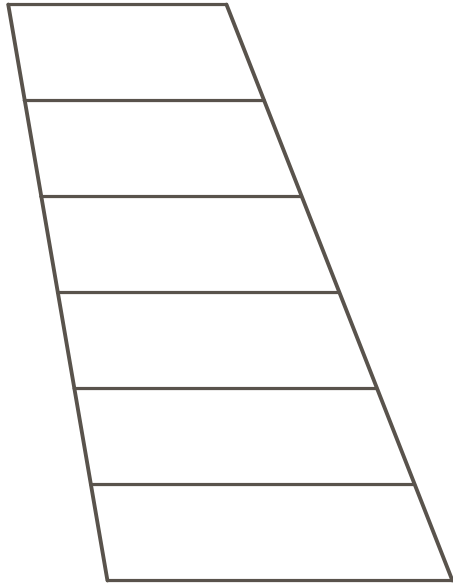
Ⓒ Using a trammel, sketch the missing symmetrical half of the object.



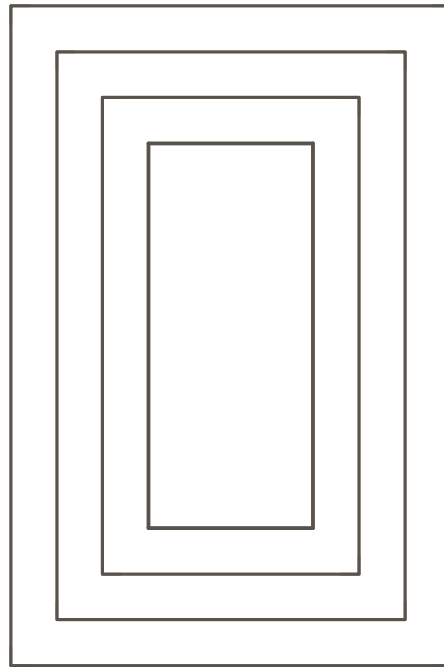
Ⓓ Using a trammel, sketch the missing symmetrical half of the object.



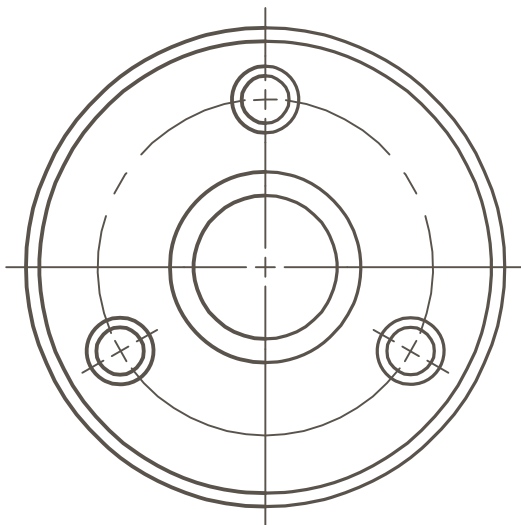
Ⓐ Using the cues provided, sketch straight lines.



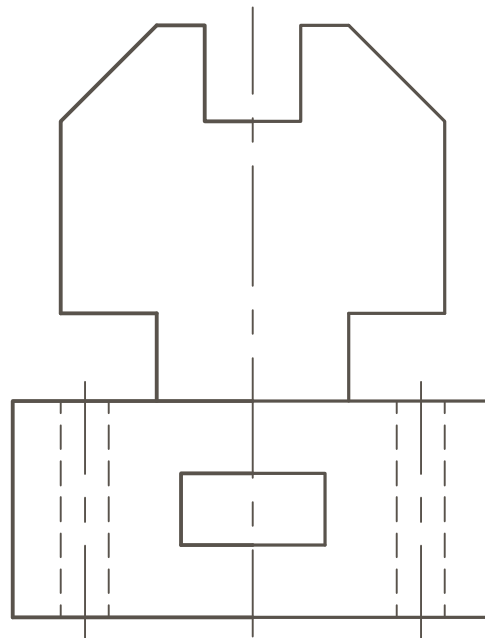
Ⓑ Using the cues provided, sketch the nested shapes.



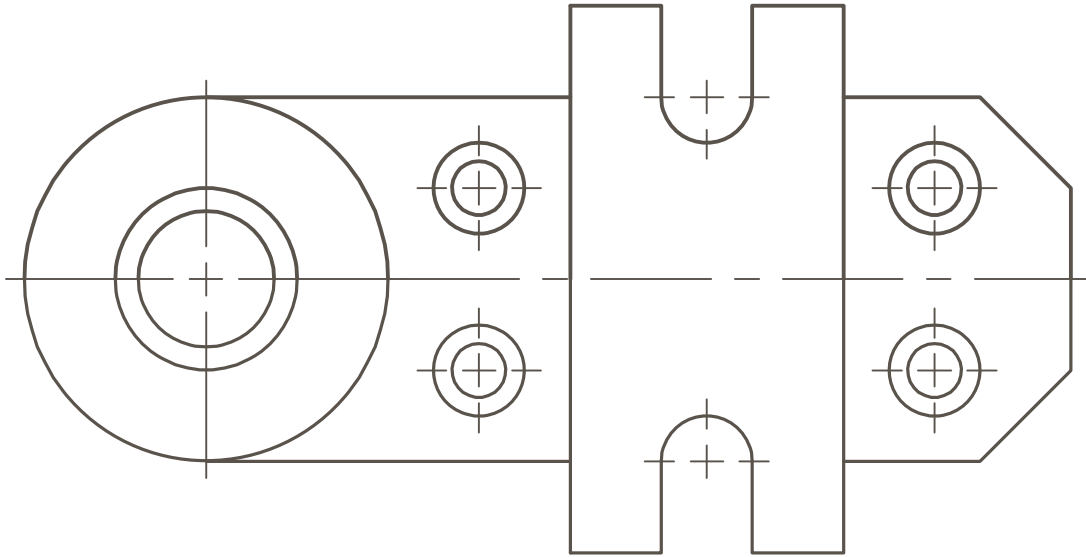
Ⓒ Using a trammel, sketch the missing symmetrical half of the object.



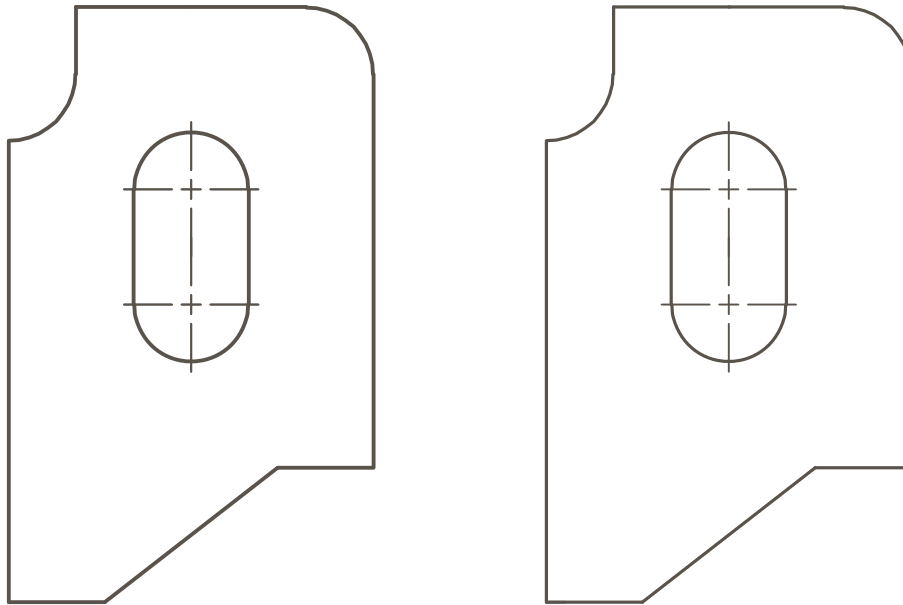
Ⓓ Using a trammel, sketch the missing symmetrical half of the object.



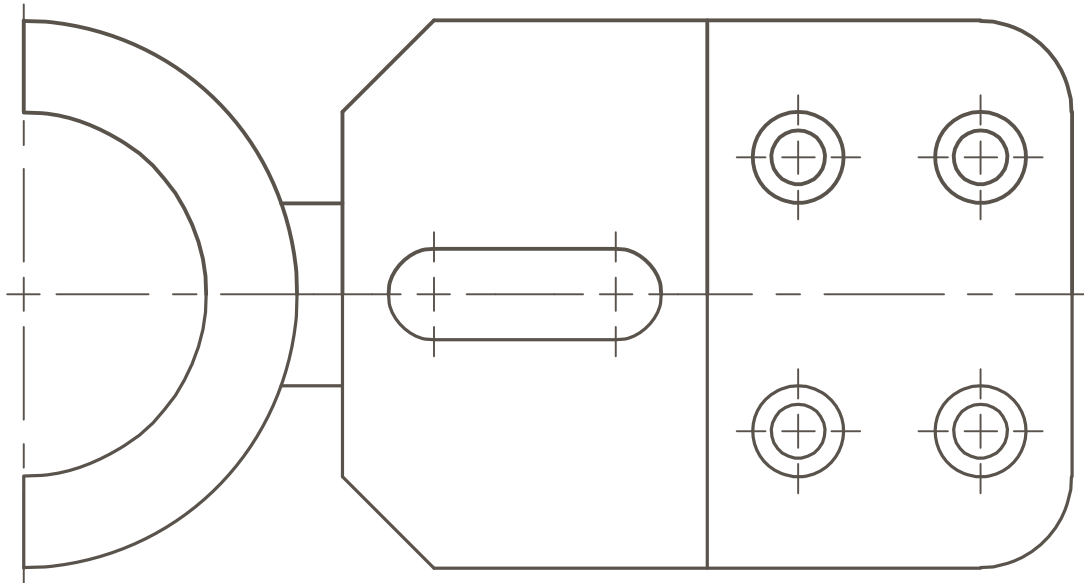
A Using a trammel, sketch the missing symmetrical half of the object.



B Using a trammel and the cue provided, sketch a replica of the object.



(A) Using a trammel, sketch the missing symmetrical half of the object.



(B) Using a trammel and the cue provided, sketch a replica of the object.

